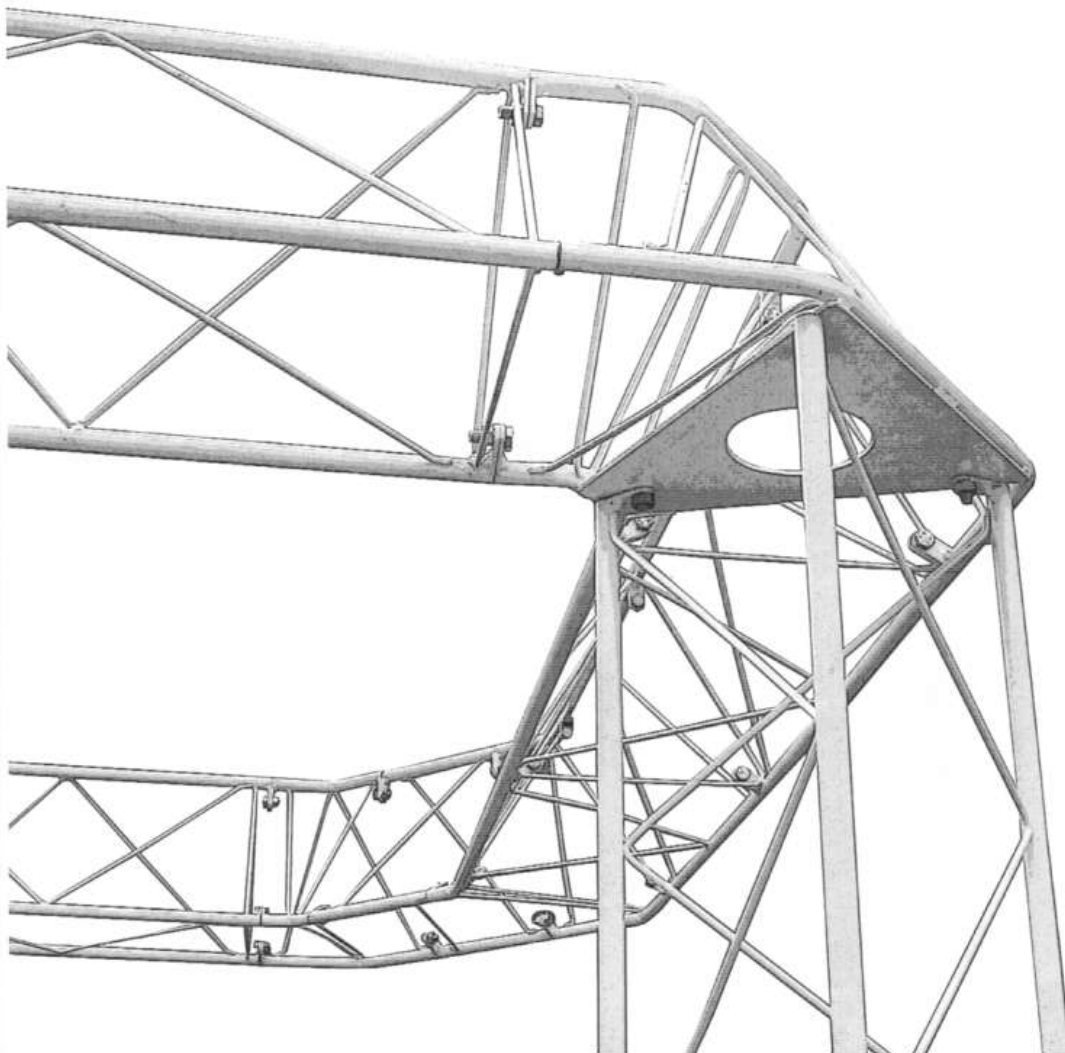




Structure Systems holds both hire and sales stock of **structura**.

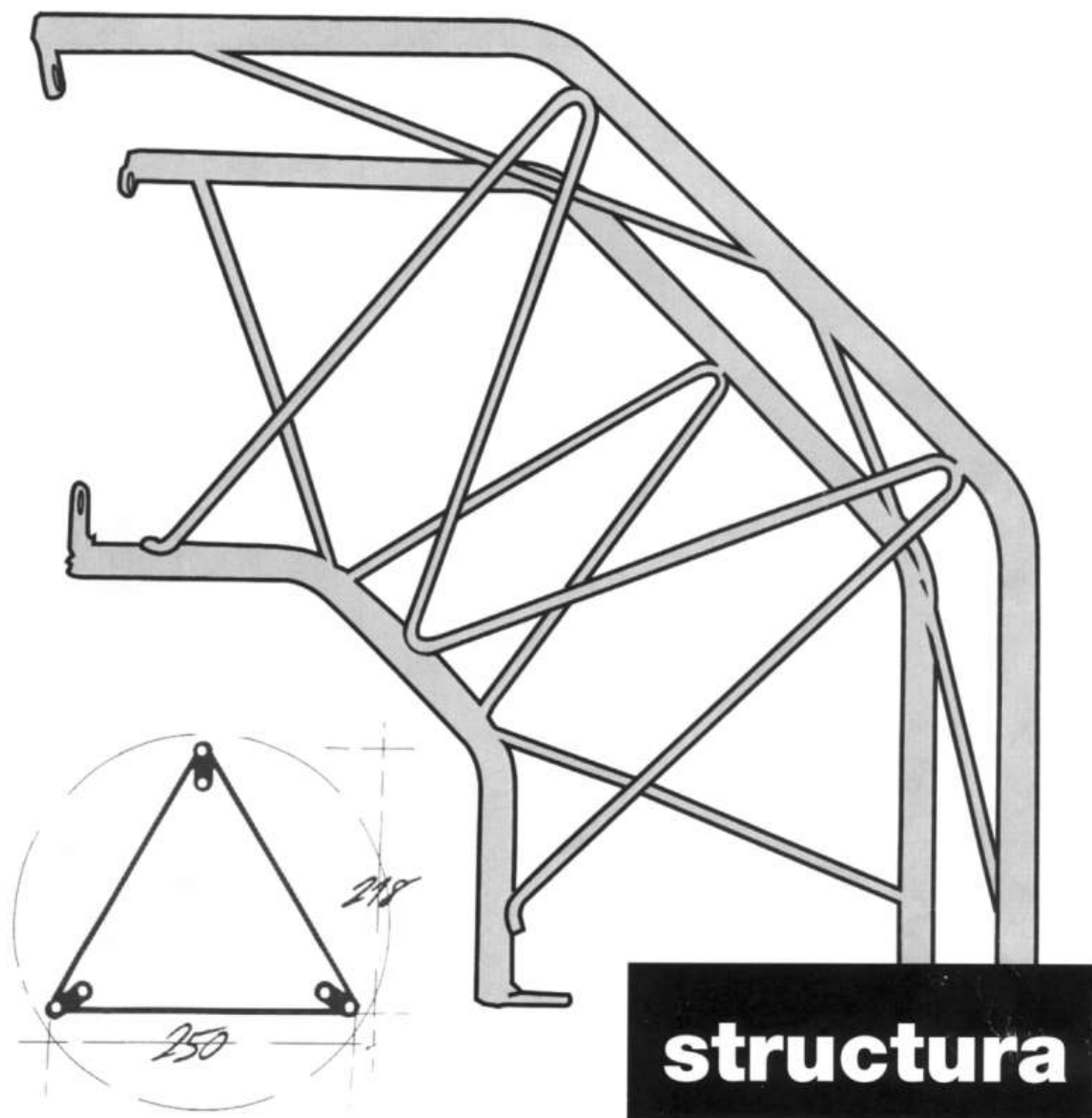
We should be pleased to make a price offer for your requirements against specification.



Publicity Systems Ltd, Unit 4 Foords Farm Foords Lane, Vines Cross, Heathfield, East Sussex, TN21 9EX

TEL:01435 813278

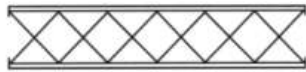
hire spec





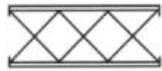
2000 mm

560 33



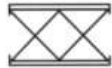
1200 mm

560 30



600 mm

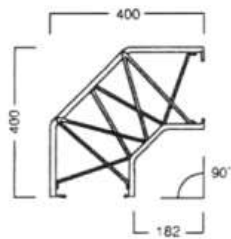
560 31



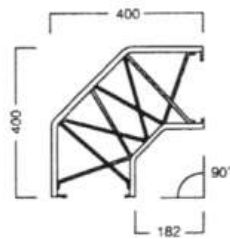
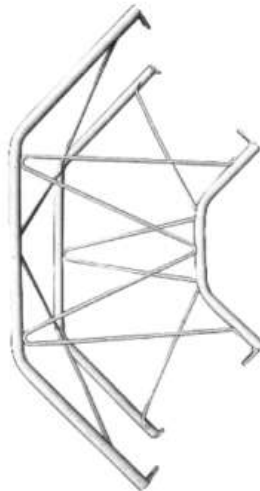
400 mm

560 32

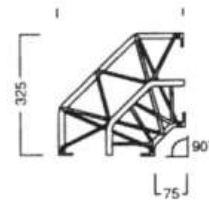
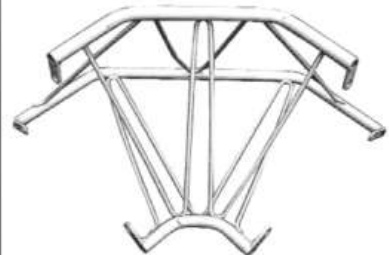
90° curve with external vertex
560 71



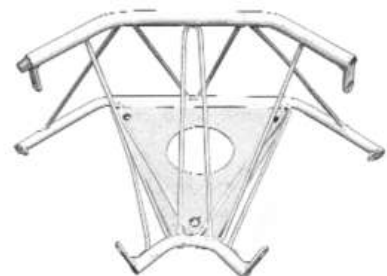
90° curve with internal vertex
560 72



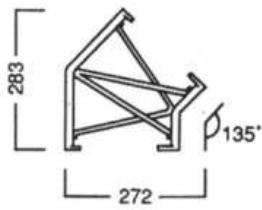
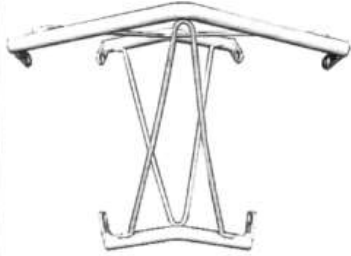
90° curve with horizontal plane
– used for fascias
560 75



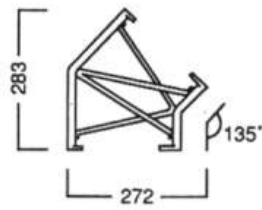
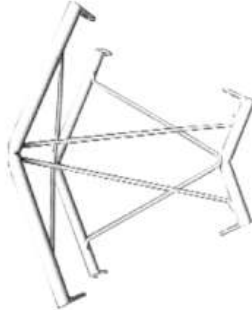
As above – but with welded plate for vertical fixing **560 75M**



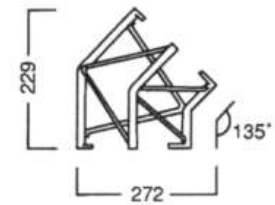
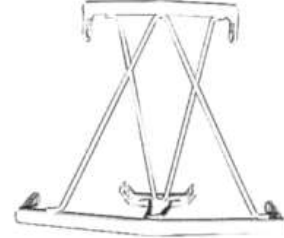
135° angle with external vertex
560 77



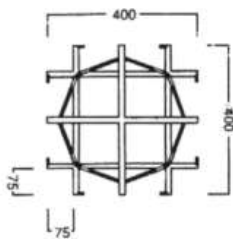
135° angle with internal vertex
560 78



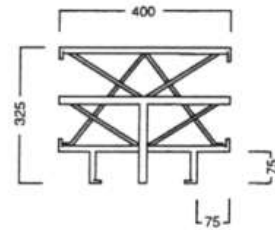
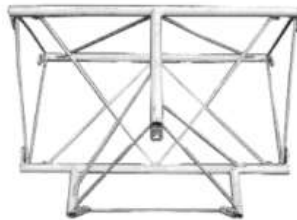
135° angle with flat plane –
 used for fascias
560 79



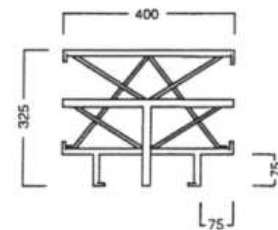
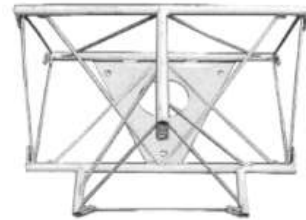
4-way "X" joint
560 70



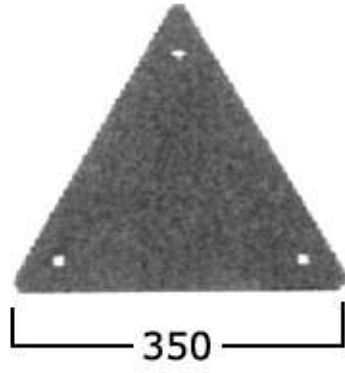
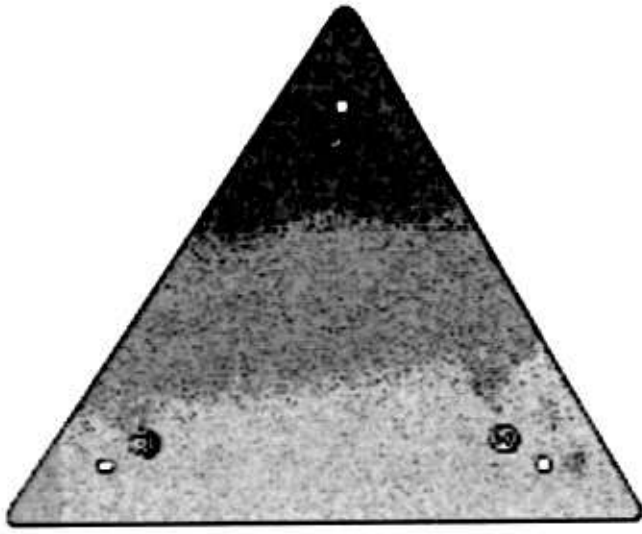
3-way "T" joint
560 76

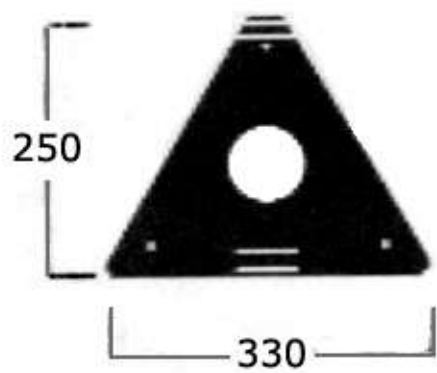


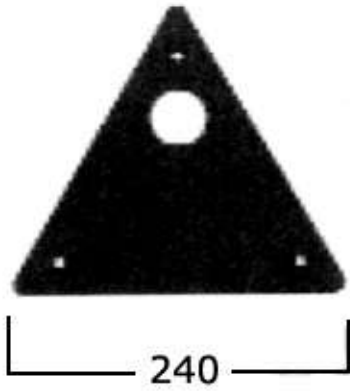
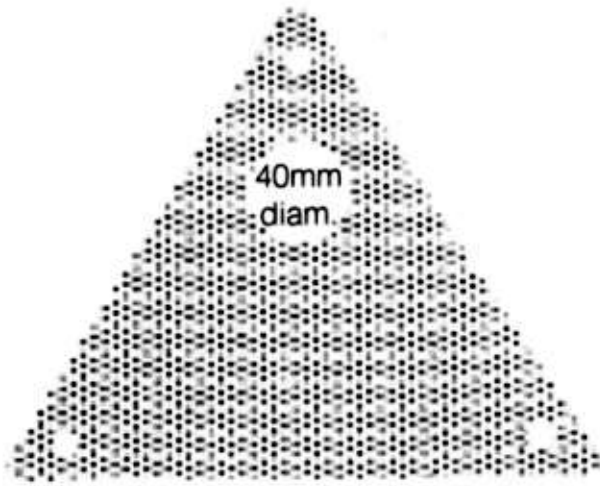
3-way "T" joint with vertical
 plate for vertical fixing
560 76M

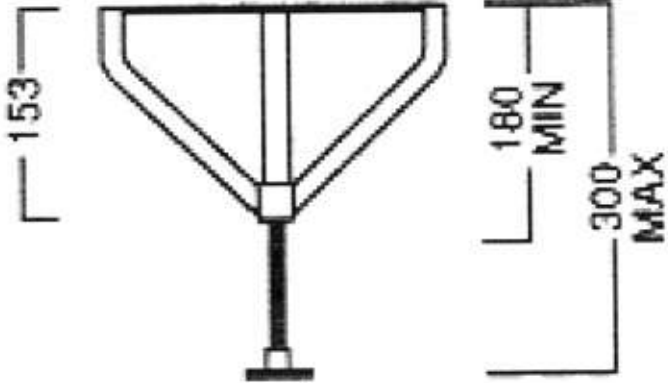


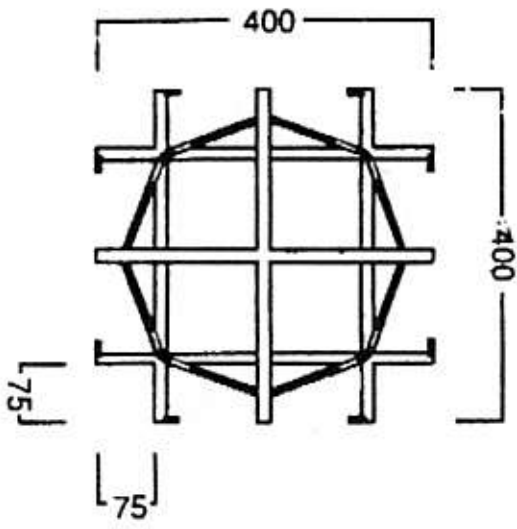
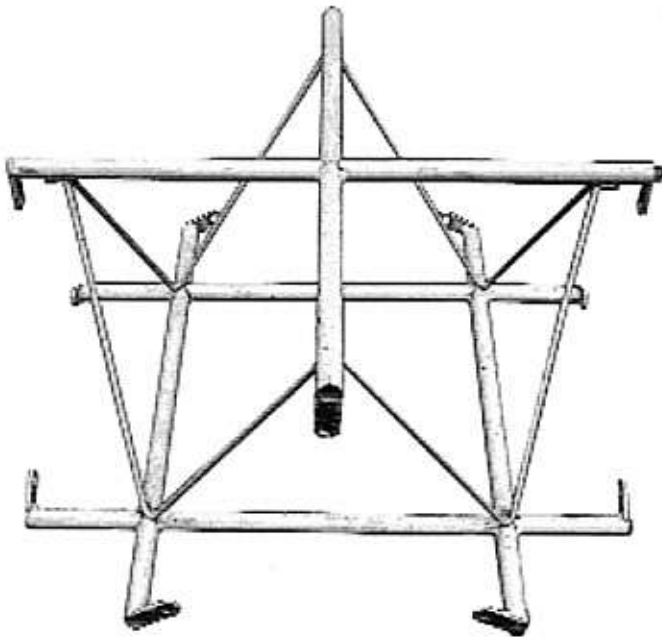
Not illustrated
560 80 modular "T" joint

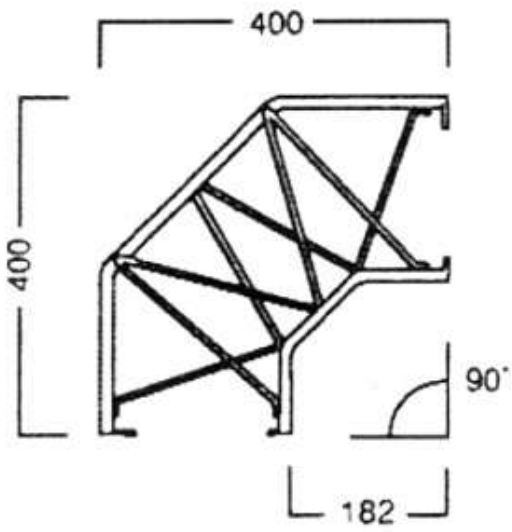
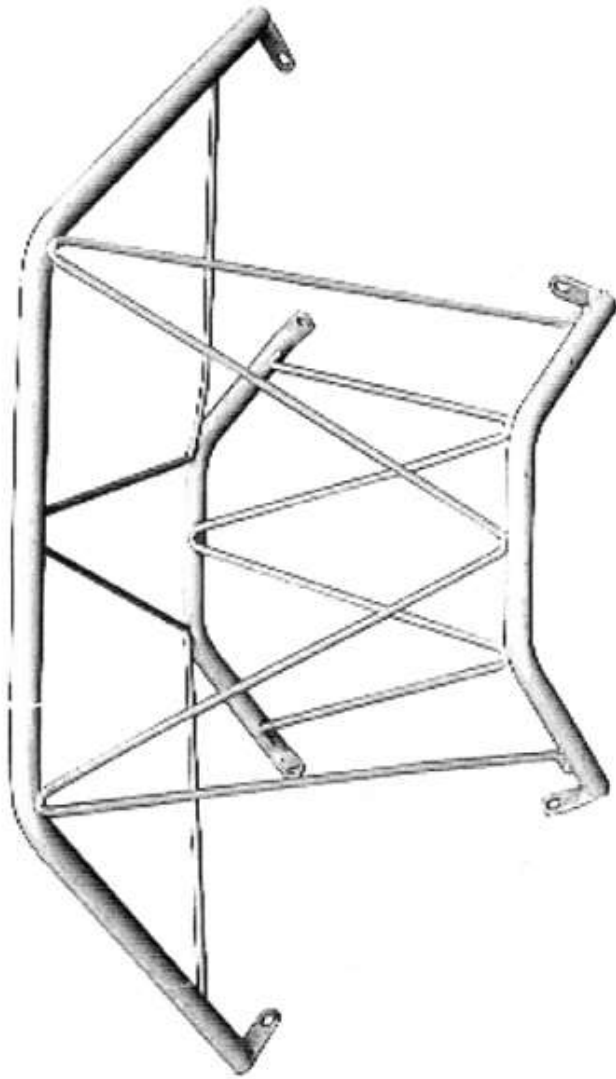


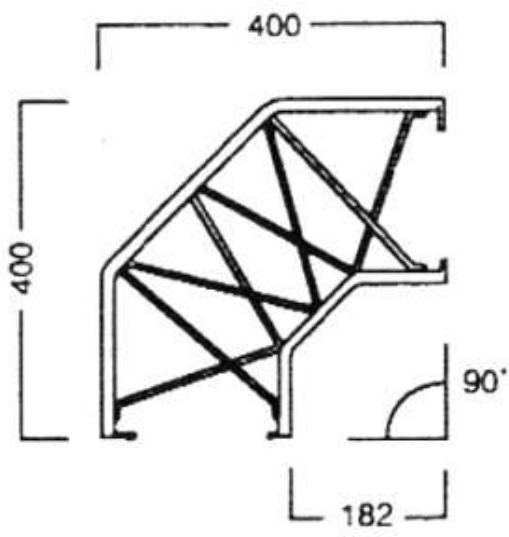
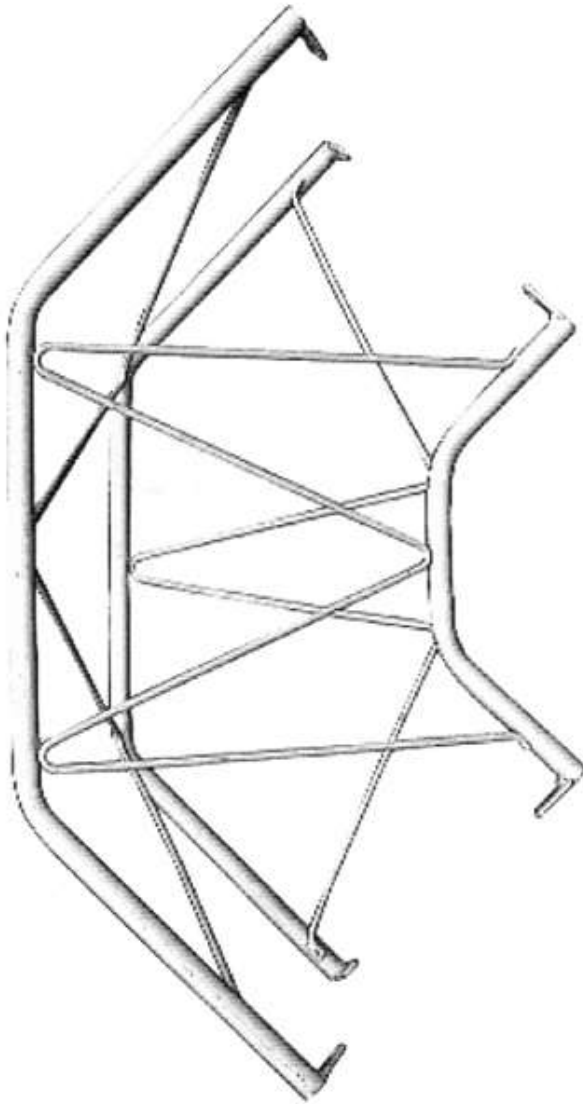


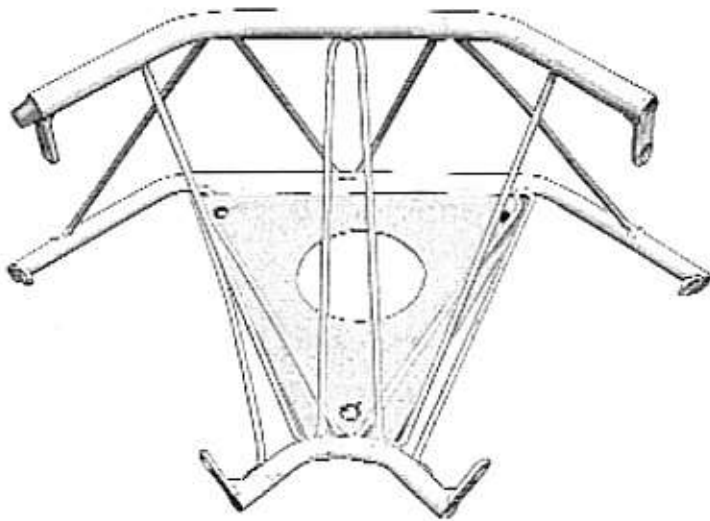
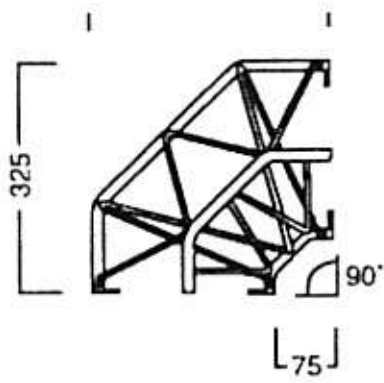
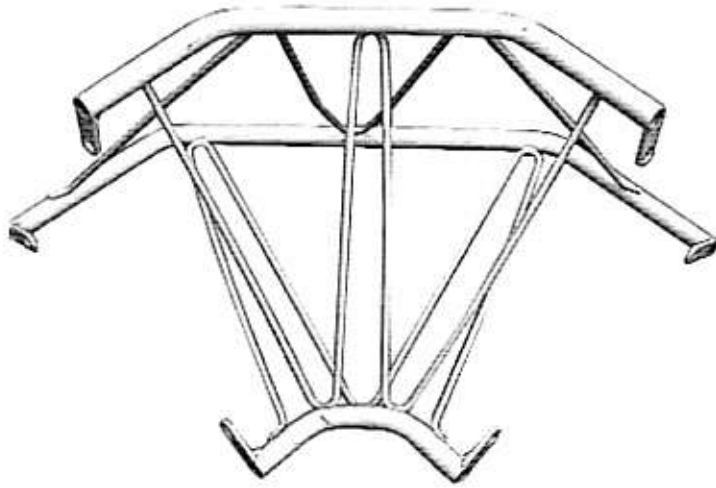


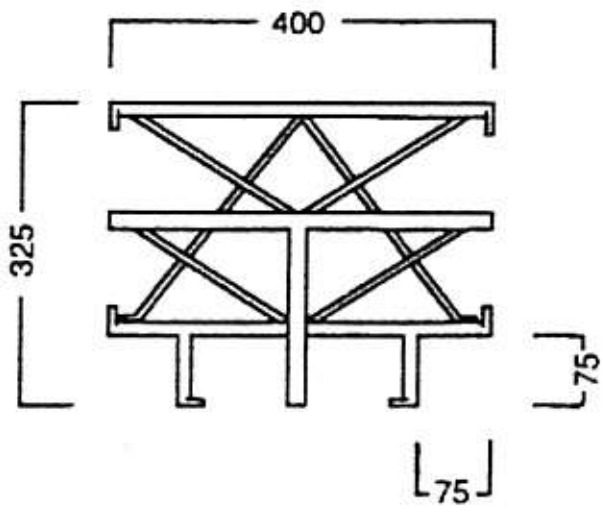
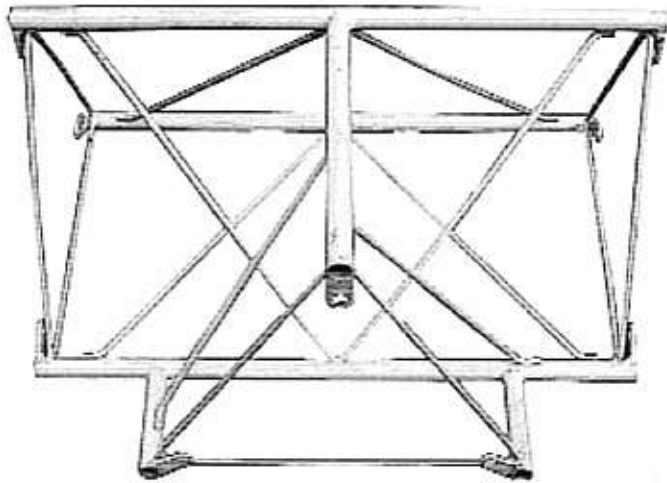


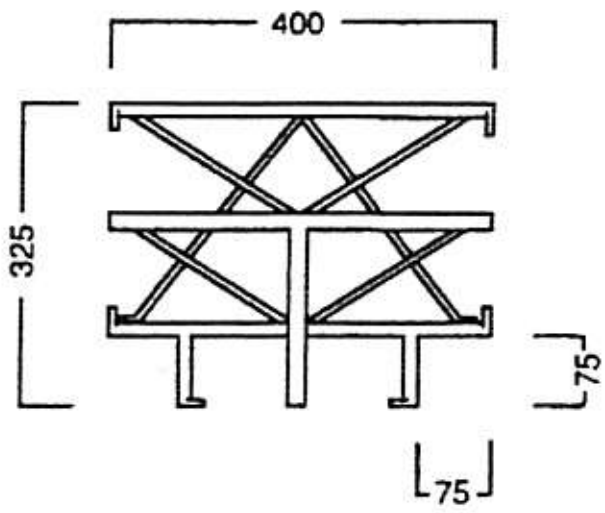
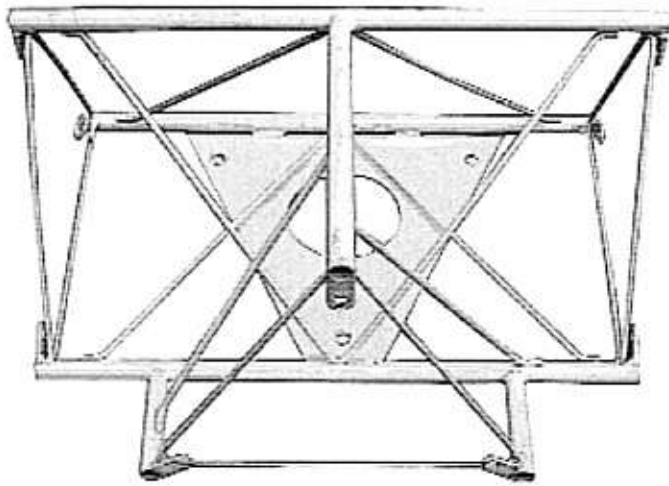


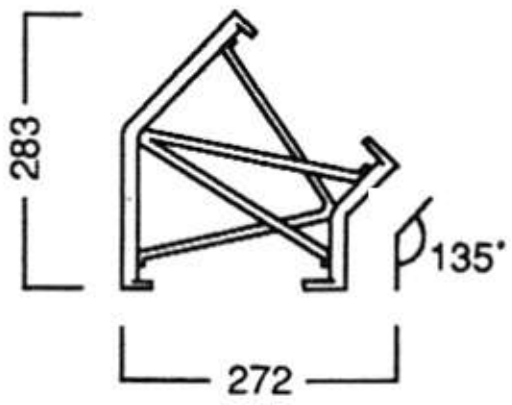
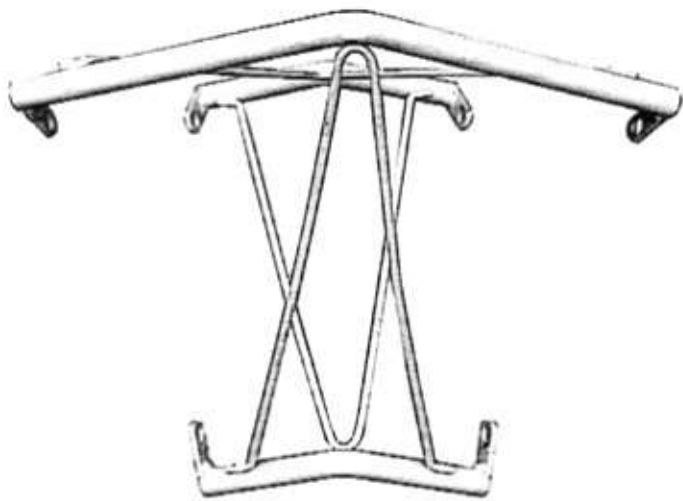


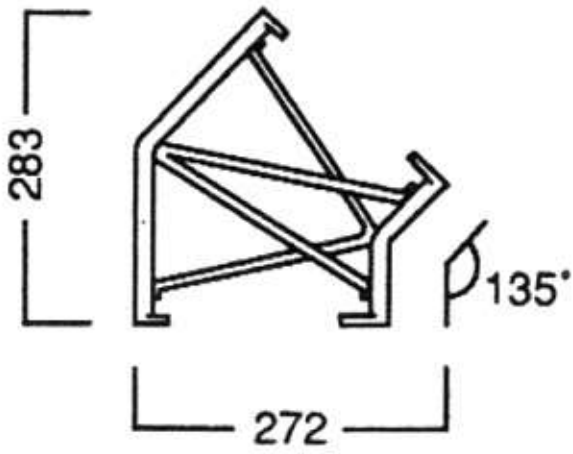
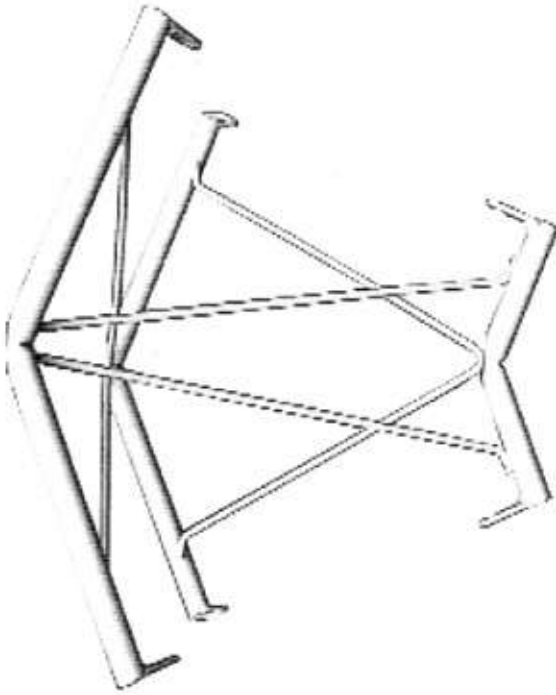


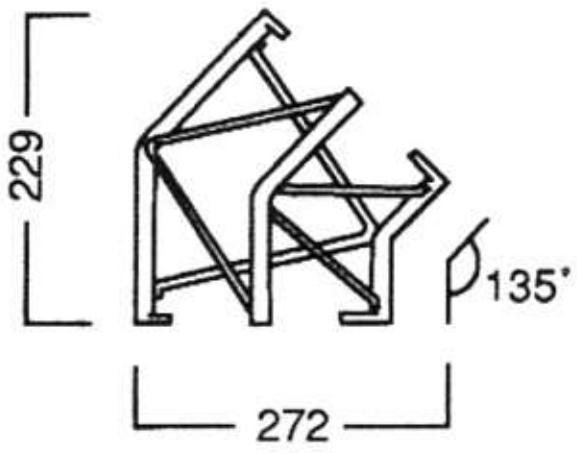
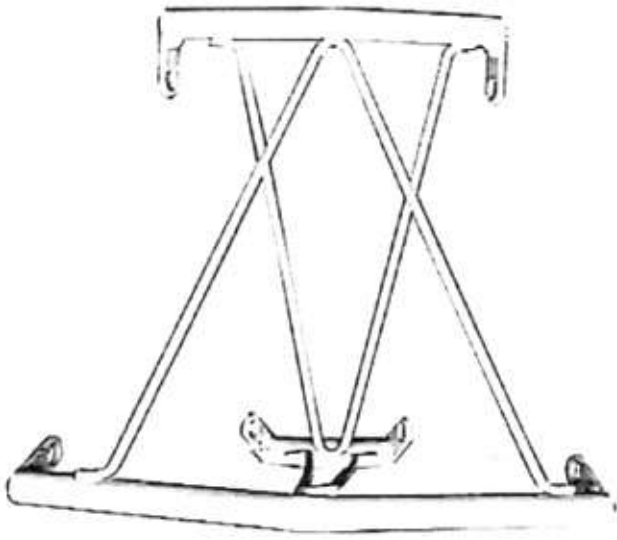


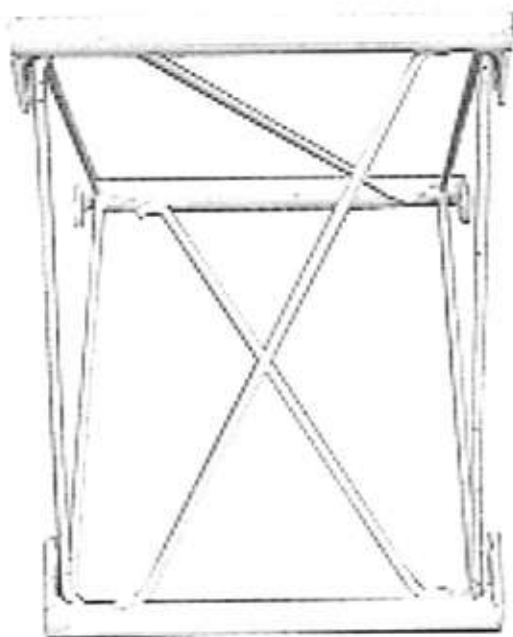












(182mm)

